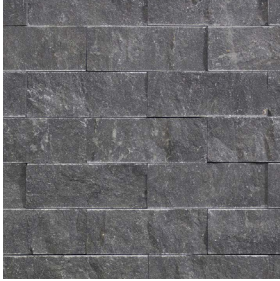


Panels

Product Information



BLUSTONE 3D
90F/90F-C



CREAM QUARTZITE 3D
40F/40F-C



GREY WOLF 3D
60F/60F-C



SILVER FOX 3D
SF-PAN



SILVER FOX
SF-N/SF-N-C



SMOKEY MOUNTAIN
185N/185N-C



WHITE WOLF 3D
06F/06F-C

PRODUCT DETAILS

Uses	
Finish	Split/ Honed
Format	6" x 24" Panel
Thickness	1/2" - 1 1/4"
Weight	7-11 lbs/sq.ft.
Tolerance	+/- 1/8"
Resistance to Salt Attack	Nil loss after 15 cycles

FREEZE THAW

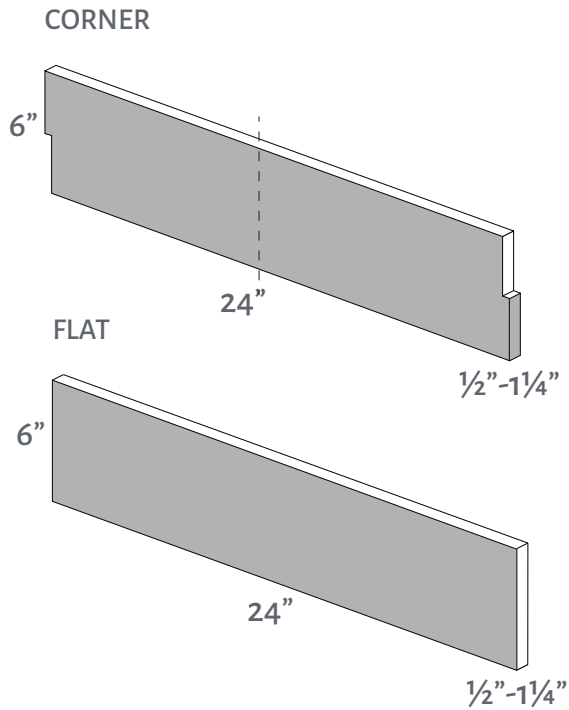
Average Water Absorption	≤ 1%
Average Mass Loss	Nil

COLOUR RANGE

Due to the nature of natural stone, colour may vary between batches. This is standard across the natural stone industry.

NAME	CODE /CORNER	STONE TYPE
Blustone 3D	90F / 90F-C	Limestone
Cream Quartzite 3D	40F / 40F-C	Quartzite
Grey Wolf 3D	60F / 60F-C	Marble
Silver Fox 3D	SF-PAN / no corner	Limestone
Silver Fox	SF-N/SF-N-C	Limestone
Smokey Mountain	185N/185N-C	Quartzite
White Wolf 3D	06F / 06F-C	Marble

Panels Format



FORMAT

6" x 24" Planks

NAME	CODE	STONE TYPE
Blustone 3D	90F / 90F-C	Limestone
Cream Quartzite 3D	40F / 40F-C	Quartzite
Grey Wolf 3D	60F / 60F-C	Marble
Silver Fox 3D	SF-PAN	Limestone
Silver Fox LedgeStone	SF-N/SF-N-C	Limestone
Smokey Mountain	SF-PAN / no corner	Quartzite
White Wolf 3D	06F / 06F-C	Marble

Panels Calculation

STEP 1

Calculate the total square feet of the area to be covered (subtract windows, doors, etc.)

STEP 2

Add 10% to the total square feet for waste.

STEP 3

Add your total linear feet of outside corner.

(Figure 1)

STEP 4

Multiply your total linear feet of outside corner by 2. This is the amount of corner panels required.

STEP 5

Subtract the amount of corner panels required from the total square footage (including waste). This is the amount of regular panels required. (If this figure is less than zero, then only corner panels are required).

step 1 SQ FT	total square feet
step 2 SQ FT + 10%	total square feet + waste
step 3 outside corner LINEAR FT	total linear feet
step 4 LINEAR FT \times 2	# of corner panels needed
step 5 SQ FT - CORNER	# of regular panels needed

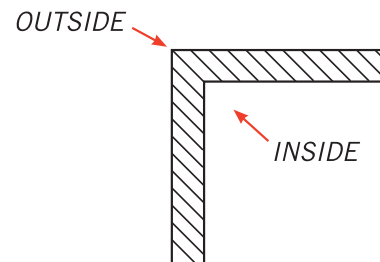


Figure 1